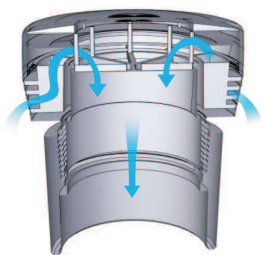


# Air Admittance Valve MiniHab 1 1/2" - 2"

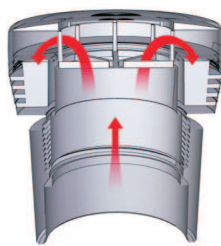
## 24DFU Air Admittance Valve for Plumbing Ventilation

### Description

The product provides air supply and helps to compensate negative pressure. When negative pressure is created in the system, the resulting suction power raises the membrane in the valve and thus admits air into the system. As a result negative pressure is fully compensated. Air admittance valves help to prevent the spread of sewer gases (unpleasant odours) to outside the pipeline – the valve closes as soon as the membrane falls, thus preventing the diffusion of odours.



open membrane  
(negative pressure)



closed membrane  
(positive or neutral  
pressure)

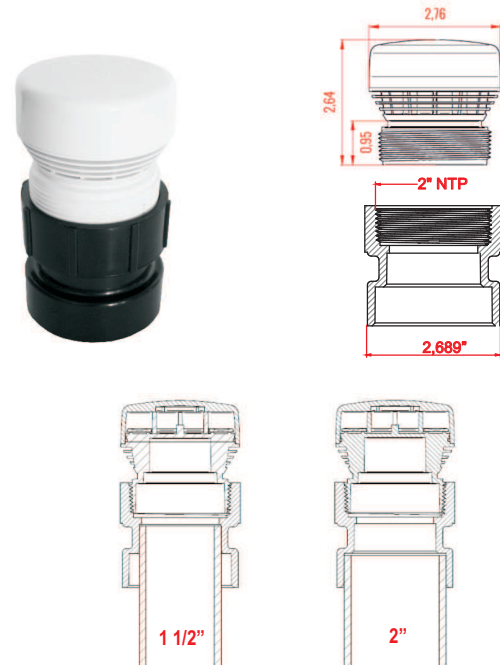
To select an appropriate air admittance valve, the level of air supply required for a given sewage system must be determined. The respective guidelines are outlined in national standards and regulations. The most suitable air admittance valve is chosen based for the required air supply level of drain waste and ventilation (DWV) system.

### Features

- ✓ reduced investment costs,
- ✓ a single product which is suitable for installation on pipes of different sizes
- ✓ air admittance valves prevent the spread of bad odours from a sewage system
- ✓ in the event of a fire, the valves reduce the risk of fire and smoke spreading via sewage pipes (through the elimination of the stack effect)
- ✓ they provide designers, architects and engineers support when designing sewage systems and sanitary facilities

### Installation

The MAXIHAB-Vent should be connected to the piping in accordance with Capricorn's installation instructions. AAV can be installed inside or outside of the mounting pipe. The way of installation depends on size of the pipe.



### Materials and performance parameters

COMPONENT	MATERIAL	temp. range	-40 <sup>0</sup> F - 150 <sup>0</sup> F
body	ABS	opening pressure	-0,01 psi
adapter	ABS	max allowable pressure drop at 30"	2,5 inches H <sub>2</sub> O

pipe size	STACKS		total for branch size
	total for stack of 3 branch intervals or less	total for stack greater than 3 branch intervals	
1 1/2"	4 DFU	8 DFU	3 DFU
2"	10 DFU	24 DFU	6 DFU

### Standards and certificates

- ✓ US Patent No. 10.167.966 B2
- ✓ ASSE 1050 - Stack type AAVs
- ✓ ASSE 1051 - Single fixture and branch type AAVs
- ✓ NSF Standard 14 (plastic components)
- ✓ IAPMO Classified Mark

### Warranty

Refer to your local area regulations for open vent requirements. Always consult local plumbing codes prior to installing an AAV. The products installation must be equivalent to the drainage system in which they are installed.

Visit [www.capricorn.pl/en](http://www.capricorn.pl/en) for full details.